

*Time for Progress...*

Pro - FALC<sup>PU</sup>  
Pro - MAT<sup>PU</sup>  
Pro - CLEAT<sup>PU</sup>  
Pro - LINE<sup>PU</sup>  
Pro - CLIN<sup>PU</sup>  
Pro - STEP<sup>PU</sup>  
Pro - DECK<sup>PU</sup>



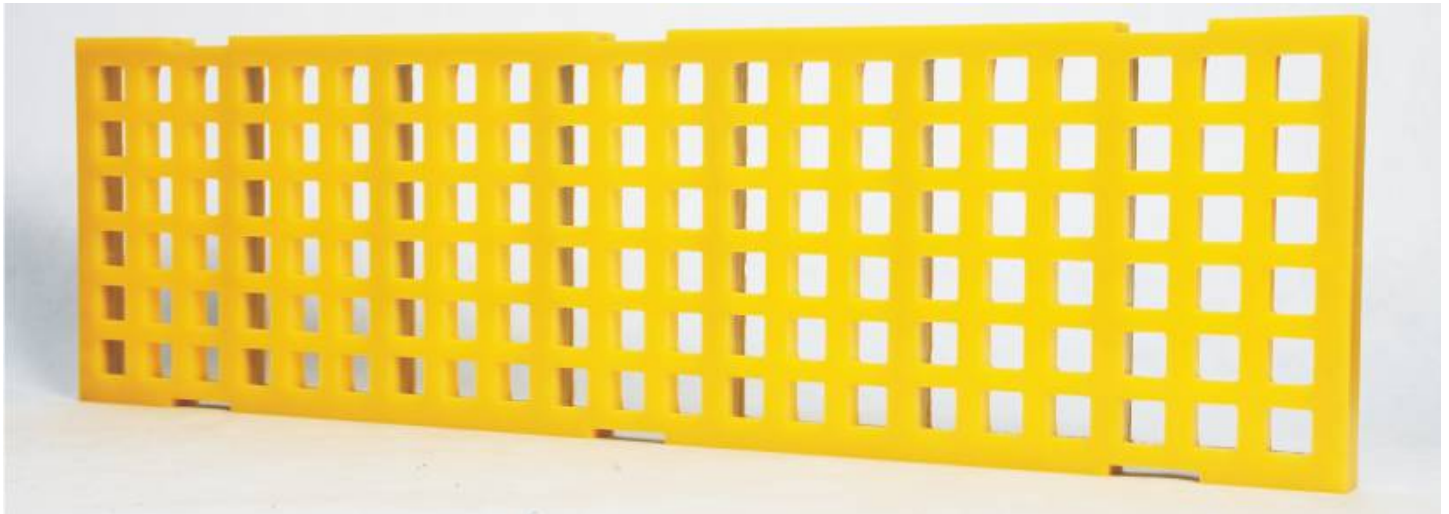
Producer of industrial screens

## Polyurethane screens

FINE WIRE MESH  
FLAT TOP WIRE SCREEN  
HARP WIRE SCREENS  
PIANO WIRE SCREENS  
FINGER SCREEN  
PERFORATED SCREEN  
RUBBER SCREENS TENSIONED  
RUBBER SCREENS MODULAR - ECOGUM  
SLOTTED WEDGE WIRE SCREENS  
PRESSURE WELDED SCREEN - PROGRESS TYTAN

[www.progress-screens.com](http://www.progress-screens.com)

## Polyurethane screens **PROGRESS**



### New offer of Progress

Continuous process of improving quality of the products which are offered and constant search of possibilities in reducing cost their exploitation, allows to propose the new offer in the scope of the polyurethane screens. Relying on the newest and the most advanced production technology we launch on the market a new line of polyurethane screens. As a new producer we assure the highest quality of the products which are offered. The new product offer includes:

### Characteristic

Polyurethane screens apart from rubber screens make a perfect alternative for metal screens. Polyurethane screens have a unique features thanks to polyurethane elastomer A-type and B-type and additional reinforcements. This is confirmed by the empirical researches and recognition of the increasing number of satisfied customers.

**Pro - FALC<sup>PU</sup>**

- polyurethane screens lengthwise and transversely tensioned

**Pro - MAT<sup>PU</sup>**

- polyurethane mats

**Pro - CLEAT<sup>PU</sup>**

- polyurethane modular screens

**Pro - LINE<sup>PU</sup>**

- polyurethane modular screens

**Pro - CLIN<sup>PU</sup>**

- polyurethane modular screens

**Pro - STEP<sup>PU</sup>**

- polyurethane modular screens

**Pro - DECK<sup>PU</sup>**

- polyurethane modular screens

#### Extended life of the screen

Thanks to high abrasion resistant and lack of the corrosion

#### Increased effectiveness of the work

Thanks to the effect of self cleaning and conical shape of the mesh

#### Improved working conditions

Noise reduction

#### Increased cost-effectiveness

- Easiness of the assembly and disassembly means shorter stoppage
- Possibility of exchange the elements of the screen deck construction.
- Dimensions are adapted to sizes of the sorting devices.

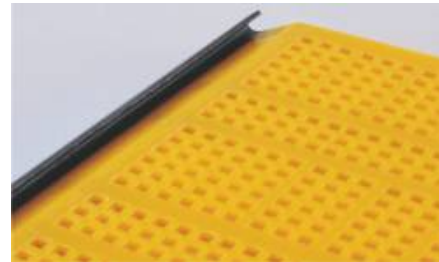
#### Increased precision of the screening process

- Thanks to the right selection of the parameter's screen:
- size of meshes: 0,25-140 mm (the wide range of granulation)
  - shape of meshes: square, oblong,
  - system of meshes: regular, staggered
  - shore hardness: 45-95

# POLYURETHANE TENSIONED SCREENS AND POLYURETHANE MATS

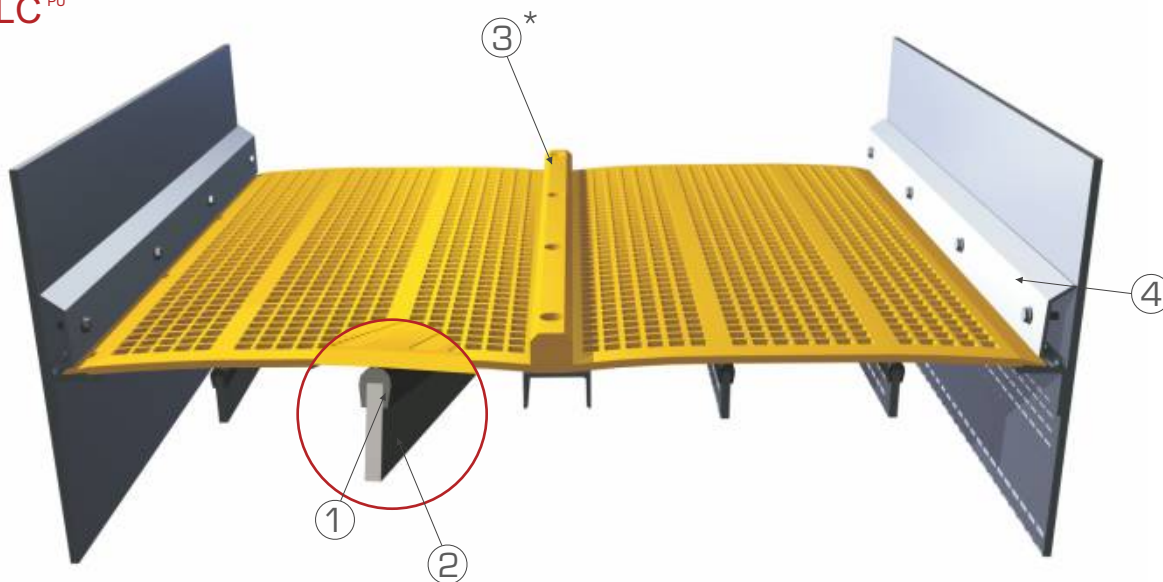
## Pro-FALC<sup>PU</sup> / Pro-MAT<sup>PU</sup>

<b>Description:</b>	The Progress' offer includes polyurethane screens lengthwise and crosswise tensioned. Polyurethane area is produced in individual sizes.
<b>Application:</b>	Classification of the natural aggregates by using natural wet and dry screening method, classification, enrichment, dewatering of the broken aggregates, coal, ore, cinder, and other grainy materials. These kinds of screens are not used for materials with high temperature.
<b>Material:</b>	A-type and B-type polyurethane elastomer, 45-95 Shore hardness. Additional steel reinforcements
<b>Apertures size:</b>	1,6 - 160 mm (square, oblong) The Mesh is available in regular and staggered order.
<b>Thickness:</b>	30 - 60 mm
<b>Dimensions:</b>	max 1900 - 2400
<b>Assembly:</b>	Assembly is possible without exchange of the sorter's frame, directly into the place of metal screens. The method of assembly of the polyurethane tensioned screens: <ul style="list-style-type: none"> <li>- the screen is tensioned by supports using hooks (pointed to the top- screens transversary tensioned, pointed to the bottom- the screens lengthwise tensioned)</li> <li>- recommended rise of the supports: 20 mm/ 1 m.</li> <li>- system of the protective profiles on the rising supports.</li> <li>- the screen can not be drilled (this could cause the disturbance of the steel reinforcement).</li> </ul>



## FASTENING SYSTEMS OF POLYURETHANE TENSIONED SCREENS

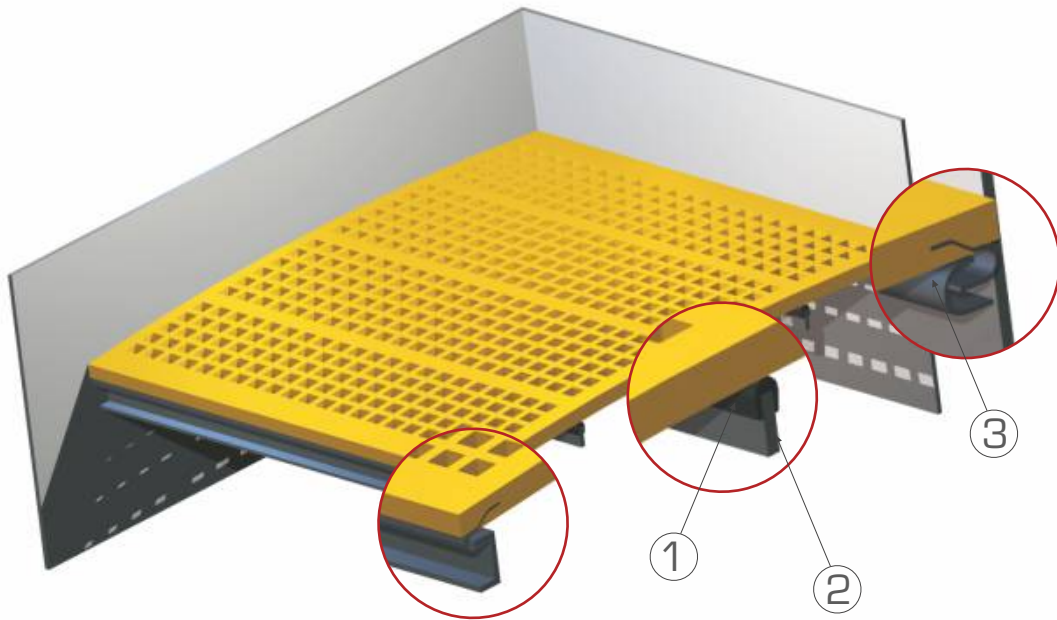
### Pro-FALC<sup>PU</sup>



1. Protective profile (polyurethane / rubber)
2. Support bar
3. Middle fixing bar (\*for width more than 2000mm)
4. Tensioning side bar

**Draw. 1.** Diagram of fastening of the polyurethane screens crosswise tensioned Pro-FALC

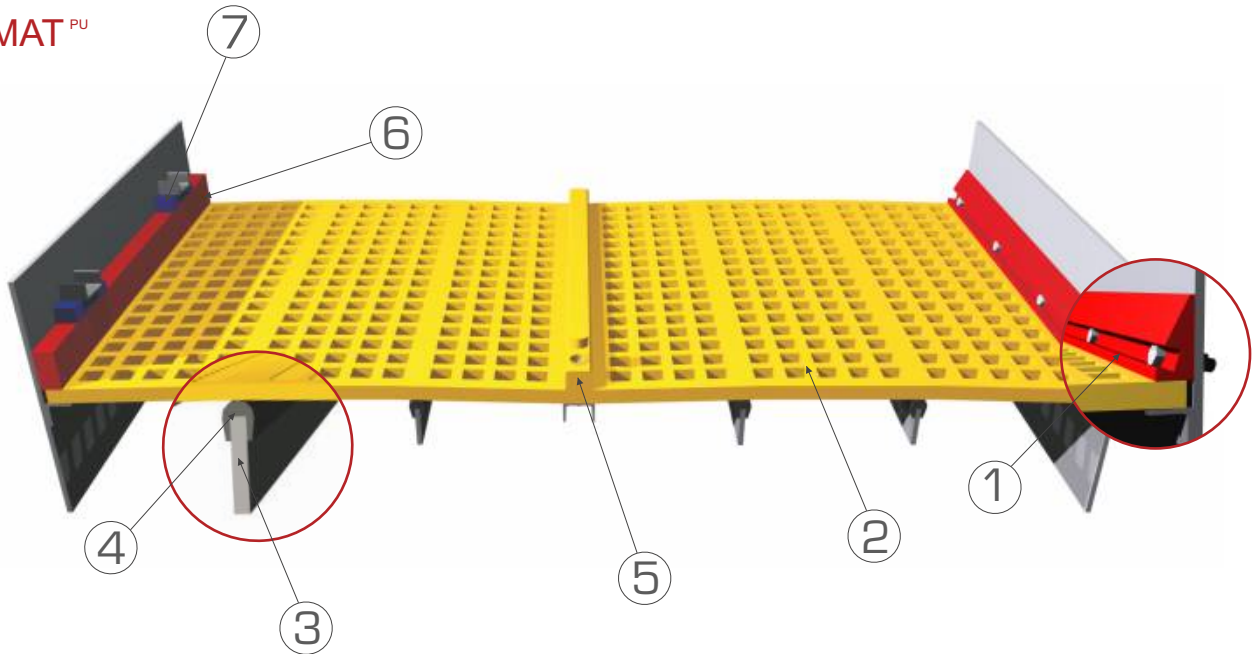
## Pro-FALC<sup>PU</sup>



- 1. Protective profile (rubber/PU)
- 2. Support bar
- 3. Tensioning bar

**Draw. 2.** Diagram of fastening of the polyurethane screens lengthwise tensioned Pro-FALC

## Pro-MAT<sup>PU</sup>

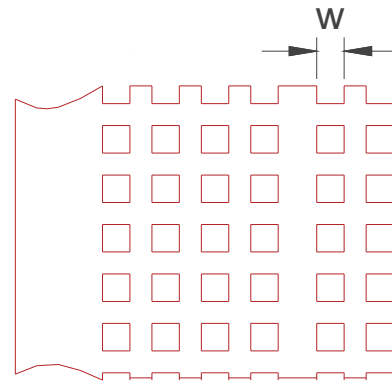
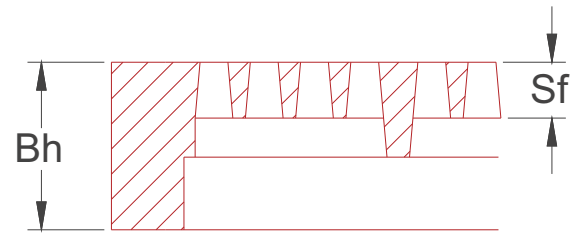


- 1. Clamped side plate
- 2. Polyurethane screen Pro-MAT
- 3. Support bar
- 4. Protective profile (polyurethane /rubber)
- 5. Middle fixing bar (for width more than 2000mm)
- 6. Protective side liner
- 7. Wedge

**Draw. 3.** Diagram of fastening of the polyurethane mats Pro-MAT

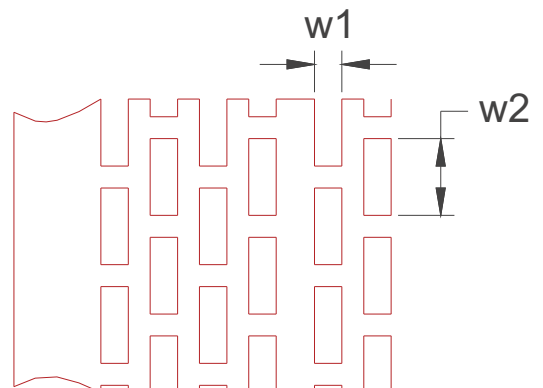
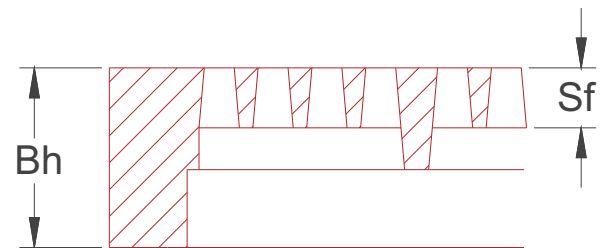
**Table 1.** Standard aperture sizes of the polyurethane tensioned screens

Size of aperture	Overall height	Height of the screening area	Effective open screening area
w	Bh	Sf	%
3.55	20	7	19.4%
4	24	13	12.4%
4.5	21	10	15%
5	21	10	16.8%
6.3	22	10	24.7%
7	27.5	17.5	21.8%
8	23	12	24%
10	24	12	27%
11.3	30	18	27.6%
12	25	13	24%
14	25	15	25%
16	25	15	27.4%
18	25	15	27.5%
19	30	20	23.5%
20	25	15	28%
22	25	15	35%
25	30	18	32%
27	30	18	31%
30	30	19	29.1%
32	30	19	29%
34	40	30	25.6%
36	30	20	31%
38	30	25	33.3%
40	40	31	29%
42	40	30	33.4%
50	40	32	43%
55	40	40	34%
60	40	40	35.2%
63	40	40	23%
67	38	38	35.3%
70	40	40	37%
80	40	40	44%
120	60	60	30.4%
140	60	60	41%
160	60	60	42.2%



**Table 2.** Standard aperture sizes of the polyurethane tensioned screens

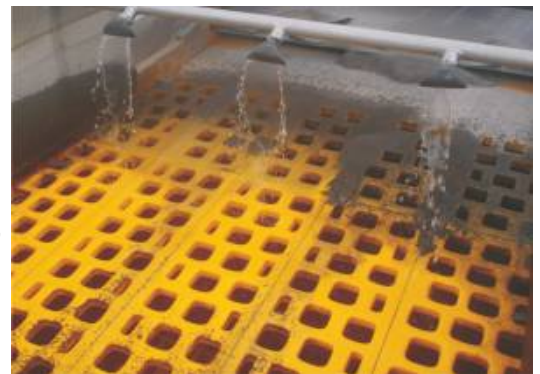
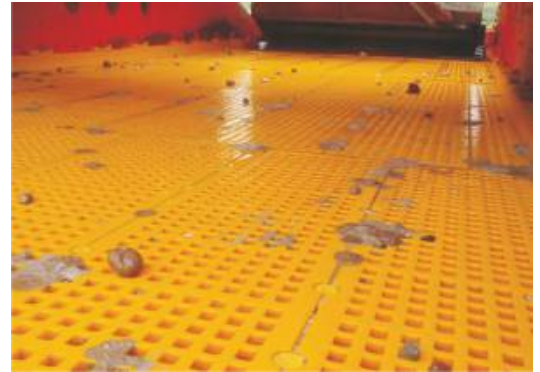
Size of aperture	Size of aperture	Overall height	Height of the screening area	Effective open screening area
w1	w2	Bh	Sf	%
2	16	20	10	26%
2.5	16	20	10	25.1%
3	16	20	10	27%
4	20	21	10	23%



## POLYURETHANE MODULAR SCREENS

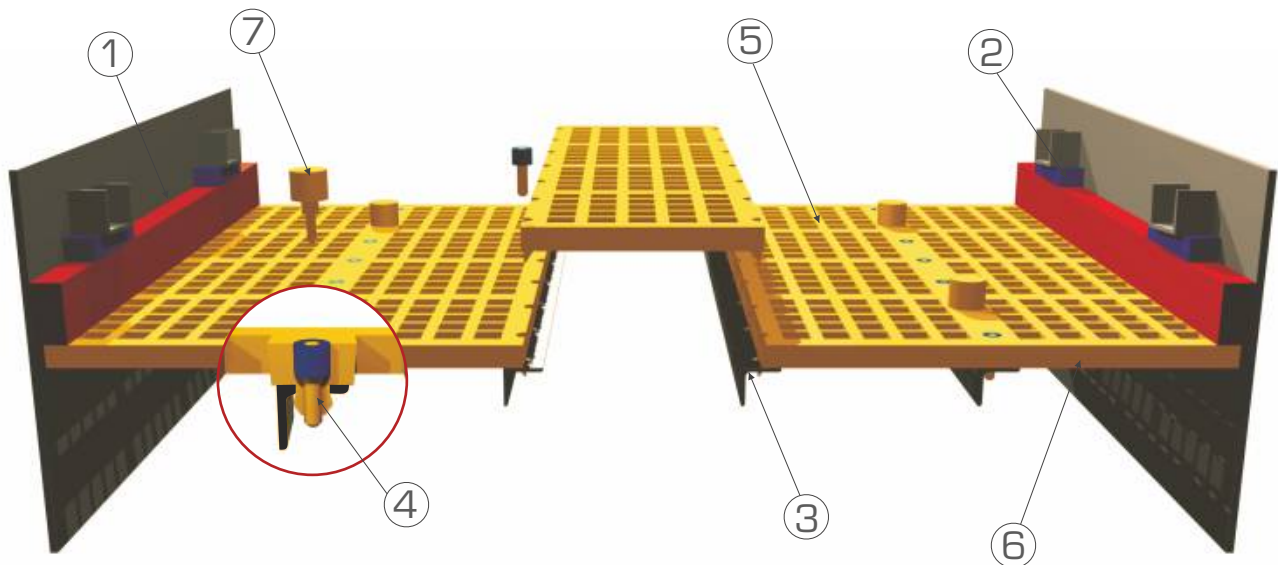
Pro-CLEAT<sup>PU</sup> / Pro-LINE<sup>PU</sup> / Pro-CLIN<sup>PU</sup> / Pro-STEP<sup>PU</sup> / Pro-DECK<sup>PU</sup>

<b>Description:</b>	The Progress' offer includes all available and known polyurethane modular system on the market
<b>Application:</b>	Clasification of natural aggregates by using natural wet and dry screening method, classification, enrichment, dewatering of the broken aggregates, coal, ore, cinder, and other grain materials. These kinds of screens are not used for material with high temperature.
<b>Material</b>	A-type and B-type polyurethane elastomer; 45-95 Shore hardness. Additional steel reinforcements
<b>Apertures size</b>	0,25 - 160 mm (square, oblong) The meshes are available in straight and staggered
<b>Thickness</b>	30 - 60 mm
<b>Dimensions</b>	Common dimension of modules: 300 x 1000 mm for central modules, for side modules according to the sorter's dimensions
<b>Assembly</b>	Assembly is possible in all curently functioning fastening systems. In the offer is available the whole range of polyurethane adaptors



## FASTENING SYSTEMS OF POLYURETHANE MODULAR SCREENS

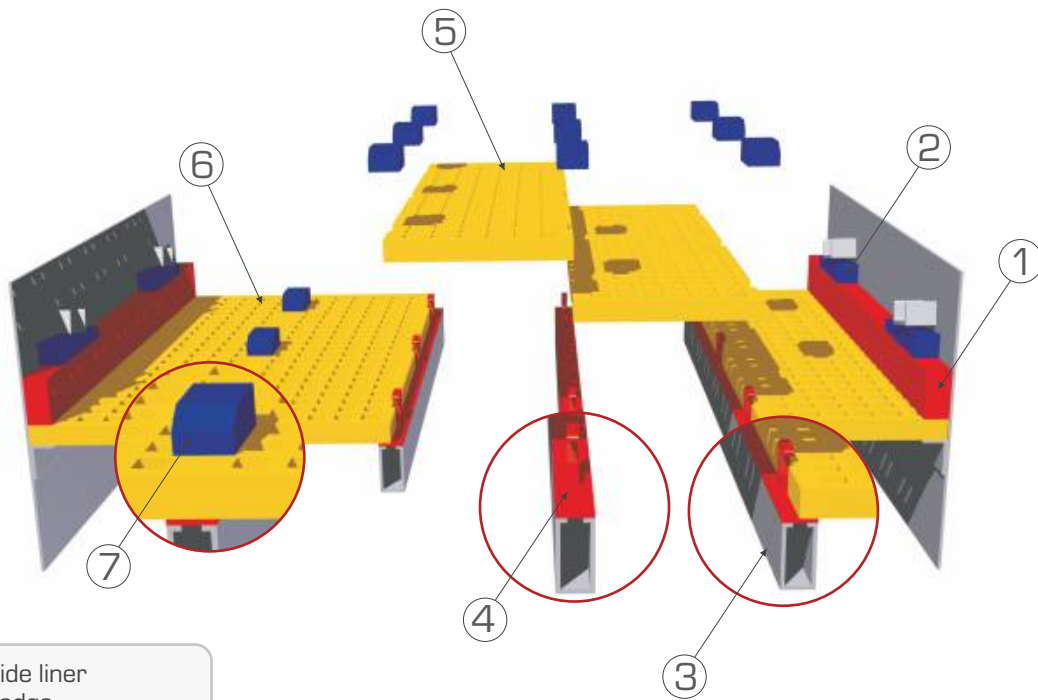
Pro-CLEAT<sup>PU</sup>



1. Protective side liner
2. Mounting wedge
3. Support bar
4. Anchoring cleat
5. Middle modular segment
6. Side modular segment
7. Cleanig cleat

Draw 4. Diagram of fastening of the polyurethane modular screen Pro-CLEAT

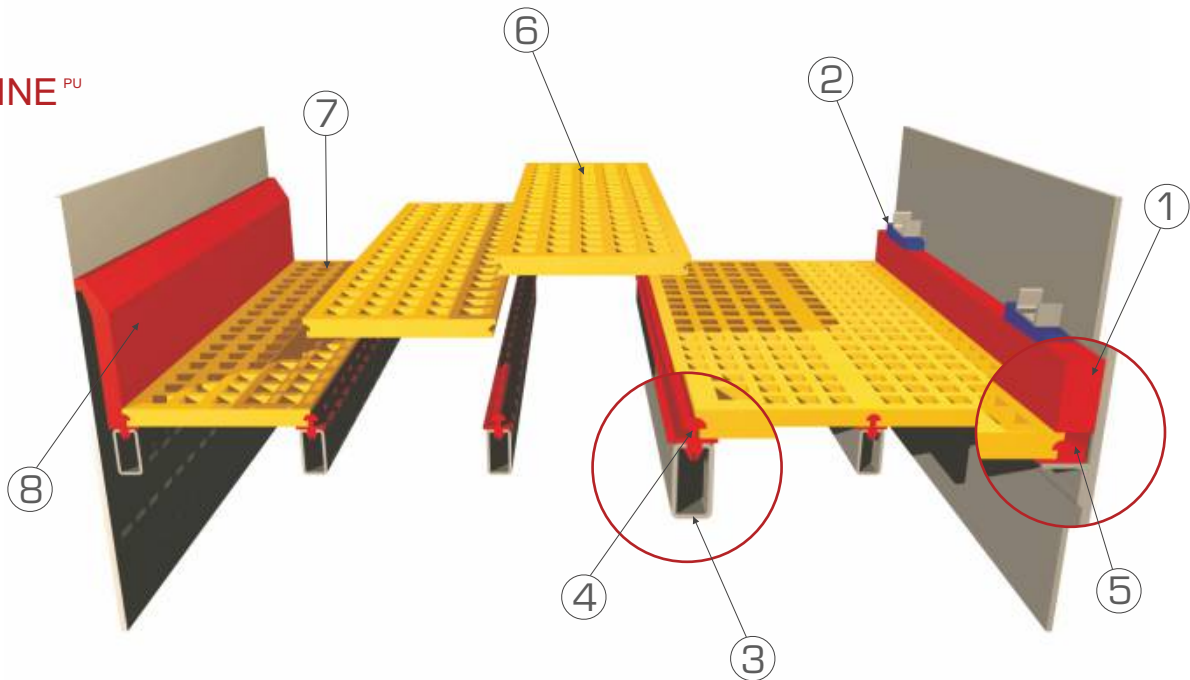
## Pro-CLIN<sup>PU</sup>



1. Protective side liner
2. Mounting wedge
3. Support bar
4. Mounting ledge Pro-CLIN
5. Middle modular segment
6. Side modular segment
7. Wedge Pro-CLIN

**Draw. 5.** Diagram of fastening of the polyurethane modular screen Pro-CLIN

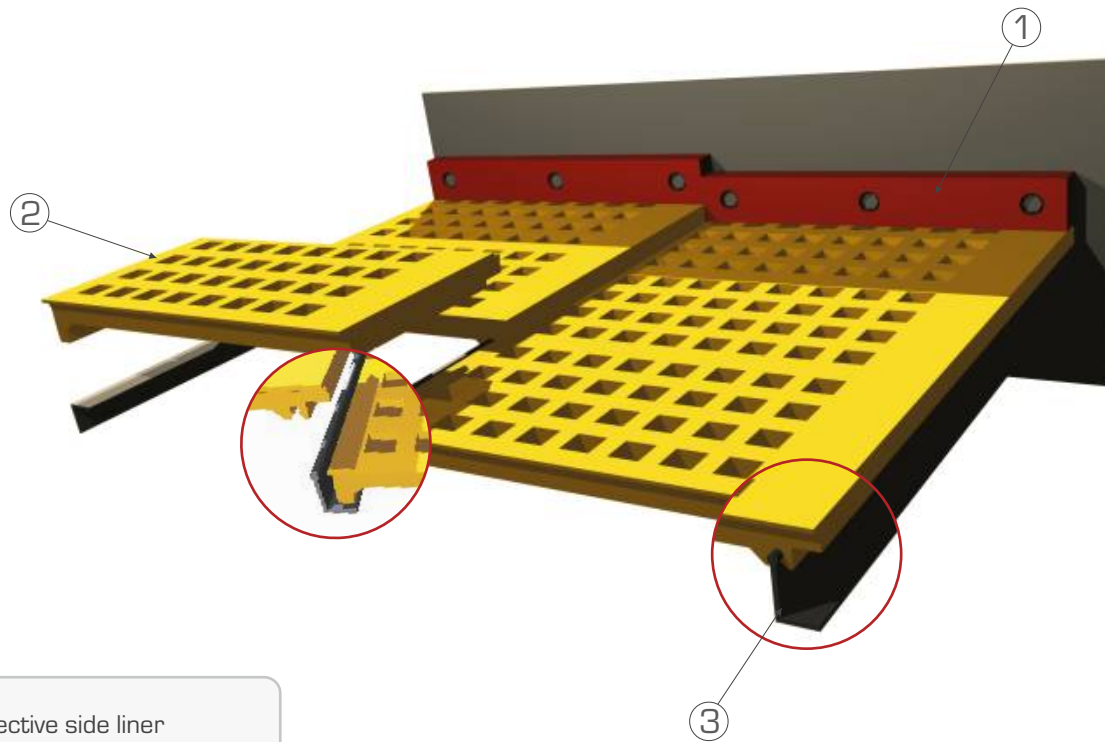
## Pro-LINE<sup>PU</sup>



1. Side liner
2. Mounting wedge
3. Support bar
4. Fastening adaptor Pro-LINE Typ D
5. Side adaptor
6. Middle modular segment
7. Side modular segment
8. Protective side liner Pro-LINE

**Draw. 6.** Diagram of fastening of the polyurethane modular screen Pro-LINE

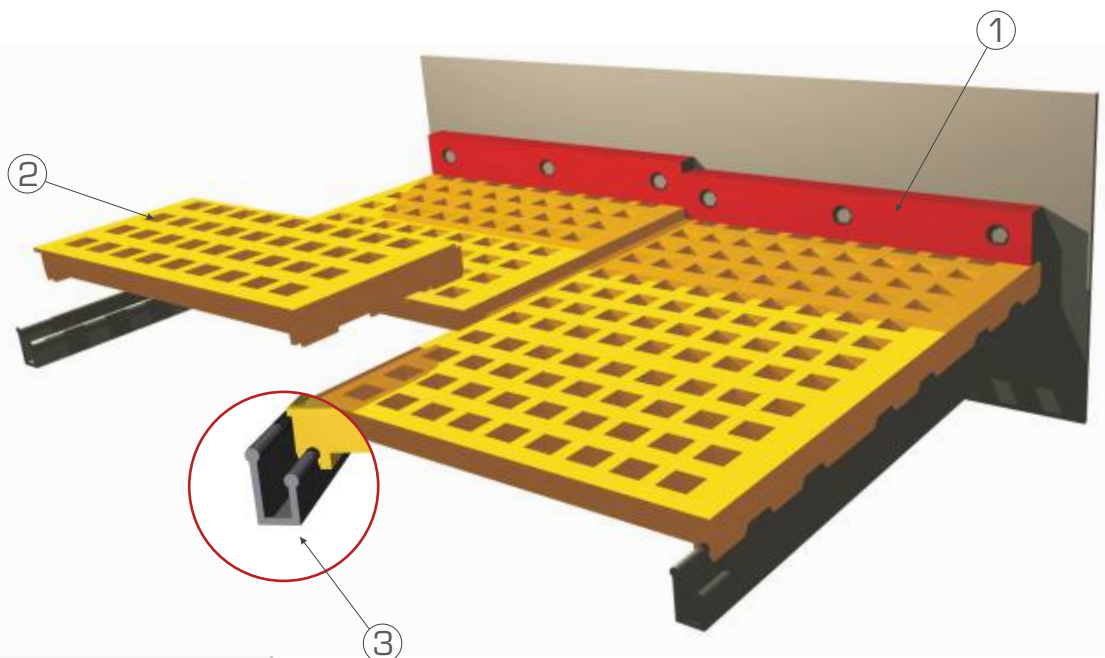
## Pro-STEP<sup>PU</sup>



- 1. Protective side liner
- 2. Modular segment
- 3. Support bar

**Draw 7.** Diagram of fastening of the polyurethane modular screen Pro-STEP

## Pro-DECK<sup>PU</sup>



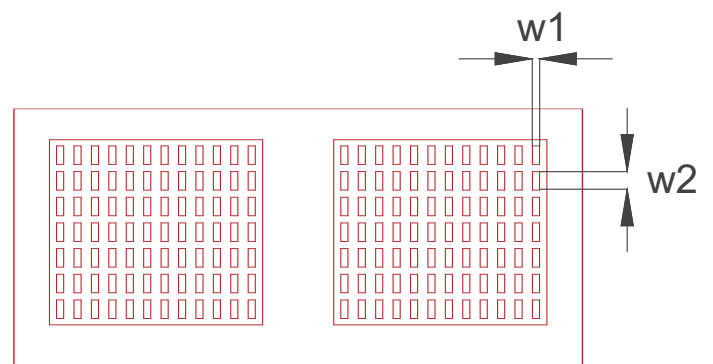
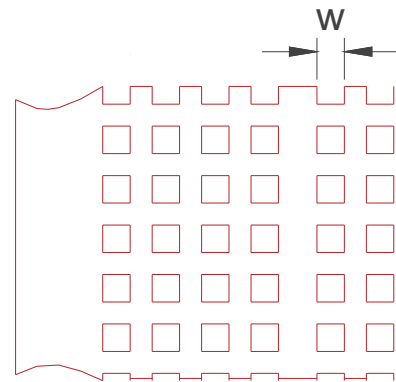
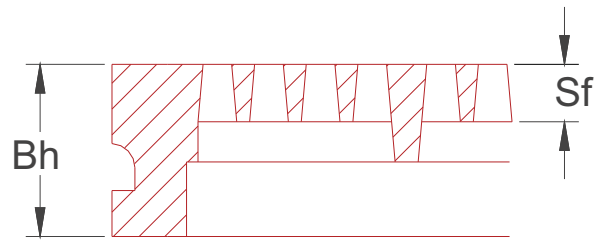
- 1. Protective side liner
- 2. Modular segment
- 3. Support bar

**Draw 8.** Diagram of fastening of the polyurethane modular screen Pro-DECK



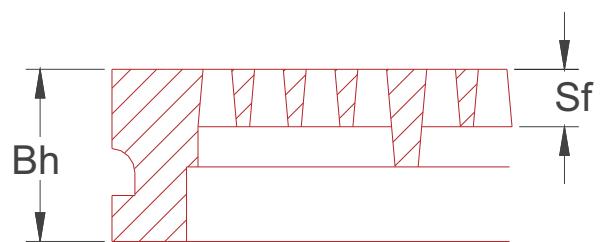
**Tabela 3.** Standard aperture sizes of the polyurethane modular screens

Size of aperture	Overall height	Height of the screening area	Effective open screening area
w	Bh	Sf	%
3	30	7	20.3%
3.15	30	10	14.6%
4	30	10	16.8%
5	30	10	26.3%
6.3	30	13	26.7%
7	30	11	27.7%
8	30	10	29%
9	30	18	24%
10	30	12	29.9%
11	30	16	27.7%
12	30	17	33%
13	30	17	28%
14	30	19	25%
15	30	19	26%
16	30	17	27%
18	30	20	34%
18	40	24	24.2%
19	30	19	37%
20	30	20	30.3%
22	30	20	36%
24	30	20	32%
25	30	22	26.3%
27	30	21	35%
30	30	19	27%
32	40	30	27%
34	40	30	25%
35	40	30	22%
36	40	40	24%
38	30	20	30.8%
40	40	31	29.9%
42	40	31	33%
45	35	30	37%
50	50	30	30.6%
55	40	40	34%
60	40	40	35.2%
63	40	40	30%
65	40	40	25.4%
65	50	50	27.8%
67	38	38	35.3%
70	40	40	29.4%
80	40	40	34.1%



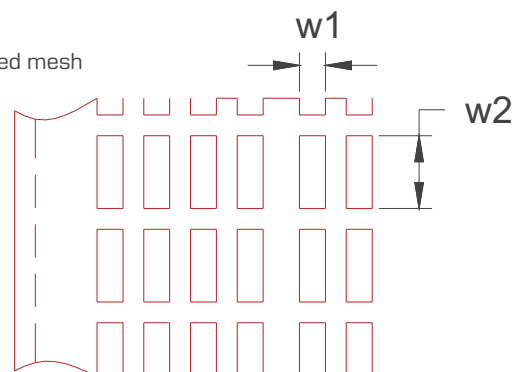
**Tabela 4.** Thermoplastic

Size of aperture	Size of aperture	Overall height	Height of the screening area	Effective open screening area
w1	w2	Bh	Sf	%
0.25	12.5	30/40	10	5%
0.5	11.7	30/40	10	10%
0.6	12.0	30/40	10	12%
0.8	12.0	30/40	10	14%
1.0	11.0	30/40	10	17%
1.25	11.7	30/40	10	20%
1.5	11.0	30/40	10	23%
2.0	23	30/40	15	19%



**Table 5.** Standard aperture sizes of the polyurethane modular screens - oblong, staggered mesh

Size of aperture	Size of aperture	Overall height	Height of the screening area	Width of the screen	Length of the screen	Effective open screening area
w1	w2	Bh	Sf	300	1000	%
0.6	11	30	8	x	x	8.4%
1.0	10	30	10	x	x	11%
1.0	15	30	10	x	x	9.2%
1.5	11.5	30	9	x	x	16.7%
2.0	11.5	30	10	x	x	20.6%
2.0	16	30	10	x	x	21.5%
2.2	11.5	30	10	x	x	21.7%
2.5	16	30	10	x	x	24.6%
3	16	30	10	x	x	18.7%
4	20	30	10	x	x	23%



## ASSEMBLY OF THE SCREENS

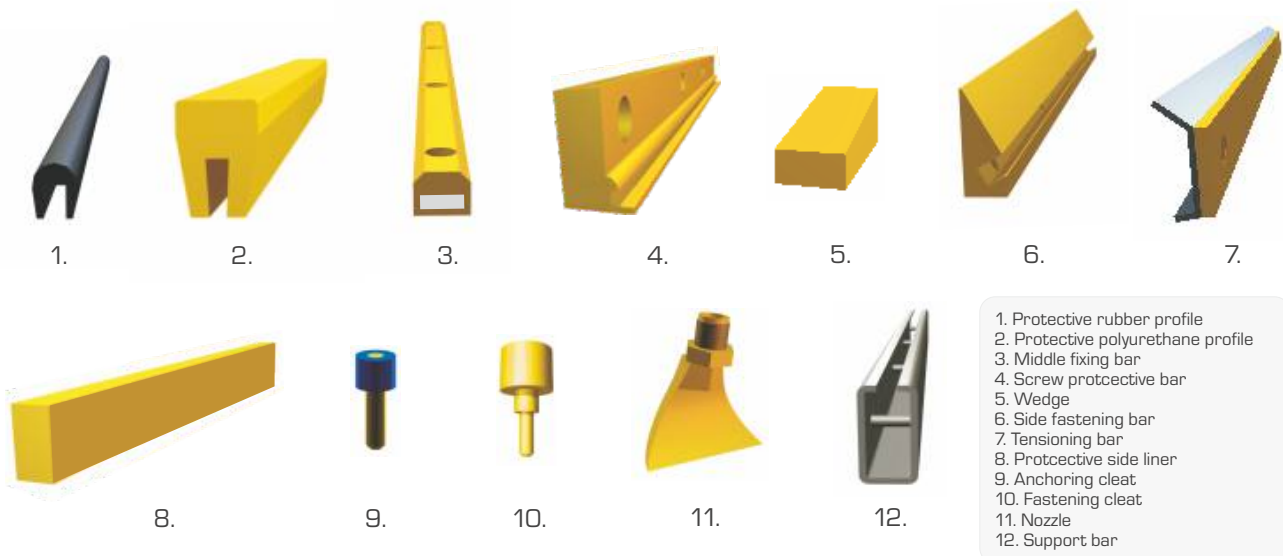
The new Progress' offer in the range of polyurethane solutions is completely compatible with all fastening systems which are available on the market. We assure the solutions which do not require alteration of the sorter's frame. We also offer comprehensive service in the range of assembly our screens, in all kinds of the sorters.

The qualified and efficient assembly guarantees the right efficiency and long lifetime of the screen. We offer both guarantee service and after guarantee service together with delivery of the spare parts.

## POLYURETHANE ACCESORIES

The processes of classification, dewatering and screening depending on specificity of a material and technological process requires usage of different kinds of accesories. Compiling the comprehensive product offert, Progress offers whole range of polyurethane elements of the equipment including the fastening elements:

- adaptors
- protective profiles
- fastening wedges
- side liner
- central bars or middle fixing bars
- small fastening elements (hooks, bevelled beds, buckles)
- other elements (for example: pump elements, nozzles, etc.)

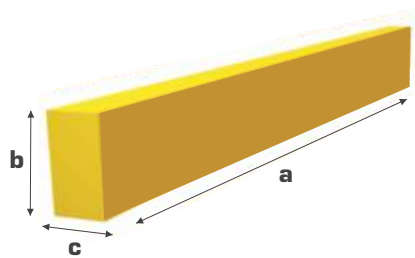


1. Protective rubber profile
2. Protective polyurethane profile
3. Middle fixing bar
4. Screw protective bar
5. Wedge
6. Side fastening bar
7. Tensioning bar
8. Protective side liner
9. Anchoring cleat
10. Fastening cleat
11. Nozzle
12. Support bar

**Table 6.** Common dimensions of the side ledge

Length	Height	Thickness
a	b	c
1000	80	40
1000	100	40
1000	200	40
1000	300	40*

\*Screwed / Other dimensions available

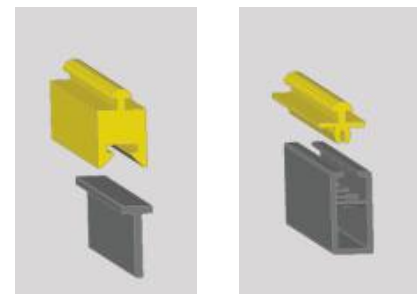
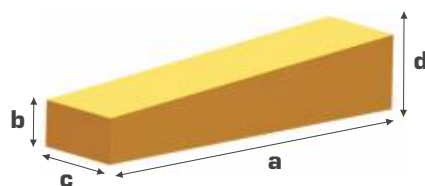


Progress offer also includes a whole gamut of adaptors. Below, we present the pictures with B and D type Pro-ADAPTER sets.

**Table 7.** Common dimensions of the fastening wedges

Length	Height	Thickness
a	b/d	c
130	20/28	40
160	20/32	40

Other dimensions available



Type B

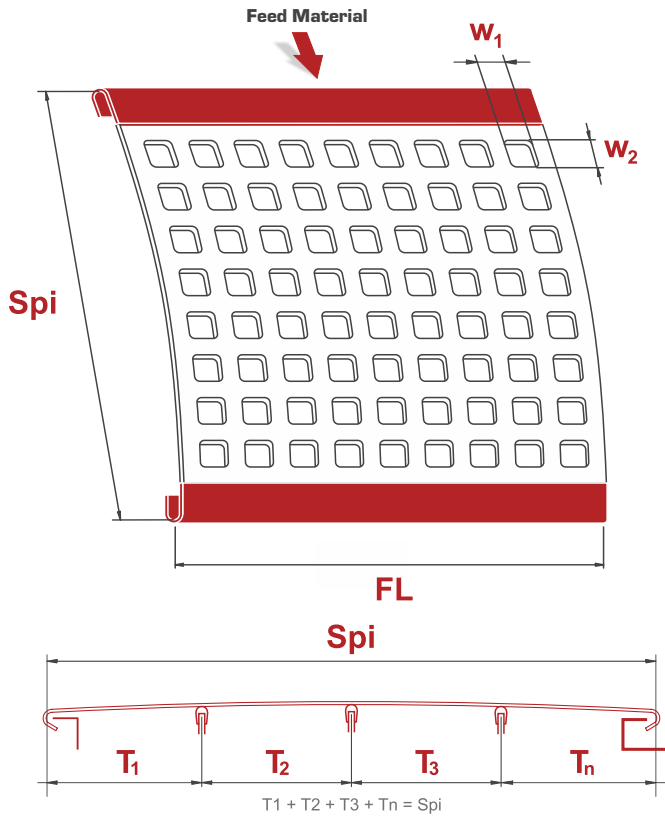
Type D

**On a special request of our customers we also produce screens and polyurethane accesories with non standard dimensions and parameters. Keep in touch with our experts.**

**Contact details**

Company: ..... Date: .....  
 Technical person: ..... Contact person: .....  
 Address: street: ..... Post code: ..... City/Countries: .....  
 Tel/Fax: ..... E-mail / Website: .....

**Parameters of the screen**



Width of the screen: **Spi =**  
 Length of the hook FL: **FL =**  
 Aperture: **W<sub>1</sub> =** **W<sub>2</sub> =**  
 Gauge of the aperture  Regular  Staggered:  
 Supports **T<sub>1</sub> =** **T<sub>2</sub> =**  
**T<sub>3</sub> =** **T<sub>n</sub> =**  
 Thickness of the screen: **Bh =**  
 Hardness of the screen: **Shore =**

**Screening machine:**

Brand: .....  
 Model: .....  
 Dimensions: ..... X .....  
 Amount of the decks: .....  
 Screening:  Wet method  
 Dry method

**Feed Material:**

Kind: .....  
 Size: .....  
 Efficiency(t/h): .....  
 Material:  Crumbling  Irregular  % sand:  
 Natural  Oblong .....  
 Cuboidal  Scaly

**Comments**

Collection:  Courier  Warehouse

Additional comments: .....  
 .....  
 .....

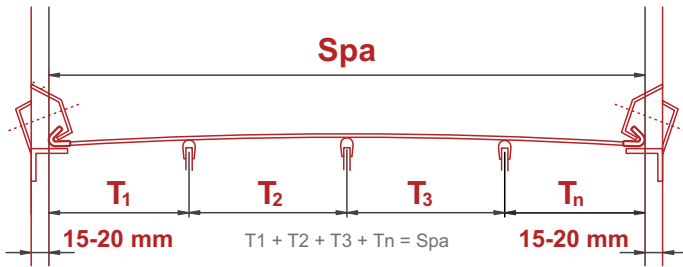
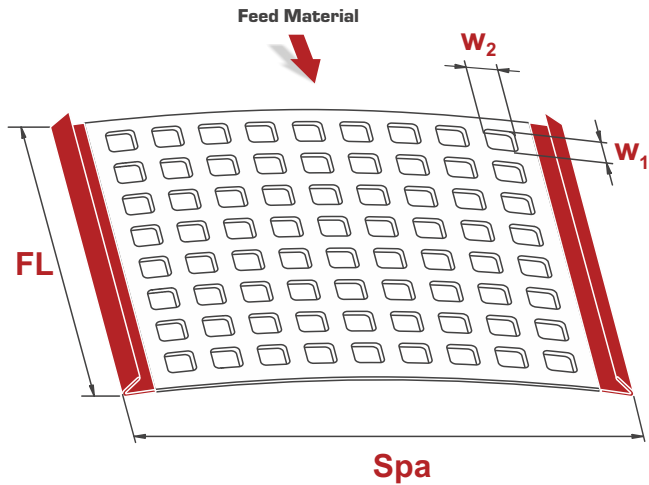
.....  
 Date/signature of entitled person/stamp of the company\*

I agree consent to processing of teleaddress informations for marketing and trading purposes

**Contact details**

Company: ..... Date: .....  
 Technical person: ..... Contact person: .....  
 Address: street: ..... Post code: ..... City/Countries: .....  
 Tel/Fax: ..... E-mail / Website: .....

**Parameters of the screen**



Tensioning measurement of the screen: **Spa =** .....  
 Width of the hook: **FL =** .....  
 Width of the mat: **GL =** .....  
 Aperture: **W<sub>1</sub> =** ..... **W<sub>2</sub> =** .....  
 Gauge of the aperture:  Regular:  Staggered:  
 Supports: **T<sub>1</sub> =** ..... **T<sub>2</sub> =** .....  
                   **T<sub>3</sub> =** ..... **T<sub>n</sub> =** .....  
 Thickness of the screen: **Bh =** .....  
 Hardness of the screen: **Shore =** .....

**Screening machine:**

Brand: .....  
 Model: .....  
 Dimensions: ..... X .....  
 Amount of the decks: .....  
 Screening:  Wet method  
                    Dry method

**Feed Material:**

Kind: .....  
 Size: .....  
 Efficiency(t/h): .....  
 Material:  Crumbling  Irregular % sand: .....  
                    Natural  Oblong .....  
                    Cuboidal  Scaly

**Comments**

Collection:  Courier  Warehouse

Additional comments: .....  
 .....  
 .....

.....  
 Date/signature of entitled person/stamp of the company\*

I agree consent to processing of teleaddress informations for marketing and trading purposes